



# Topping Equipment Hot Topping

Models Twin FS/FSP  
Twin FSP, Twin FS

Date:

Project:

Quantity:

Item Number:



**Twin FS/FSP #81290**



**Twin FS #81220**



ALSO AVAILABLE  
FOR EXPORT



## Warranty

Server Products equipment is backed by a two-year limited warranty against defects in materials and workmanship. For our complete warranty statement, see our Website or contact us.

## Bid Description

All stainless steel construction with a brushed (#4) finish. Each dispenses directly from two stainless steel jars or #10 cans (not included).

Two adjustable precalibrated thermostats control individual 500 watt heating elements. Temperature settings—marked on thermostat knobs—range from 100° F (38° C) to 200° F (93° C). Power is controlled with two ON/OFF rocker switches.

The Twin FS/FSP is designed to pump and ladle hot toppings. Comes complete with a lift-off lid and 1-ounce (30 mL) 10" (25.4 cm) Ladle #82561. The pump features a rugged cast valve body and welded construction. Maximum stroke yields 1-ounce (30 mL). Gauging collars are supplied to reduce yield in ¼-ounce (7 mL) increments.

The Twin FSP is designed to pump two hot toppings.

The Twin FS is designed to ladle two hot toppings.

## Standard Features

All stainless steel construction for durability

Pump design prevents loss of valve balls

Water fill line eliminates overflow accidents

Two 500 watt heating elements for reliable heating and holding

Adjustable precalibrated thermostats for accurate heat control

Temperature marks on knobs with protective knob guard

Dispense directly from stainless steel jars or #10 cans

Pump maximum stroke yields 1-ounce (30 mL)

Easy-to-adjust portion control in ¼-ounce (7 mL) increments

Two cleaning brushes included with pumps for maintenance

## Hot Topping Equipment Accessories

1-ounce (30 mL) 10" (25.4 cm) Ladle #82561

3-quart (2.8 L) Stainless Steel Jar #94009

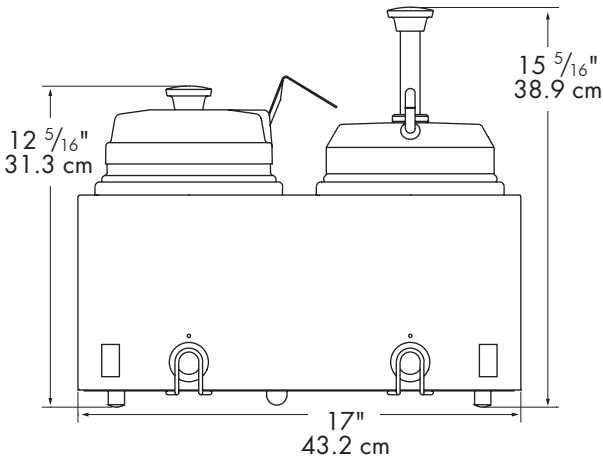
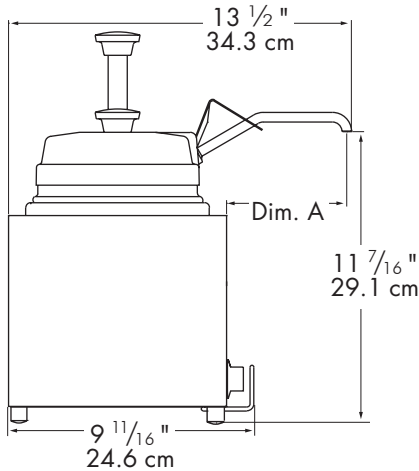
Specifications on reverse side



# Topping Equipment Hot Topping

Models Twin FS/FSP  
Twin FSP, Twin FS

## Twin Fudge Server with Pump and Ladle



## Specifications

Construction	Brushed (#4) stainless steel units. Pumps feature a rugged cast valve body and welded construction.
Capacity	Two stainless steel jars or #10 cans hold 3-quarts (2.8 L) each; 6-quart (5.7 L) total.

Models	Twin FS/FSP #81290	Twin FSP #81230	Twin FS #81220
Height	in 15 <sup>5</sup> / <sub>16</sub> cm 38.9	in 15 <sup>5</sup> / <sub>16</sub> cm 38.9	in 12 <sup>5</sup> / <sub>16</sub> cm 31.3
Width	in 17 cm 43.2	in 17 cm 43.2	in 17 cm 43.2
Depth	in 13 <sup>1</sup> / <sub>2</sub> cm 34.3	in 13 <sup>1</sup> / <sub>2</sub> cm 34.3	in 9 <sup>11</sup> / <sub>16</sub> cm 24.6
Dim. A	in 4 <sup>3</sup> / <sub>4</sub> cm 12.1	in 4 <sup>3</sup> / <sub>4</sub> cm 12.1	N/A
Weight	18 lb 8.2 kg	19 lb 8.6 kg	17 lb 7.8 kg

Electrical	120V, 60Hz, 1000W, 8.3A 72 in (183 cm) cord set NEMA 5-15P, 15A, 120V PLUG
------------	--

FOB Richfield, Wisconsin 53076

## CAD Library

We are a member of The KCL CADalog with more than 100 other manufacturers. Our CAD files can be purchased through Kochman Consultants, Ltd. at 847-470-1195, or e-mail sales@kclcad.com. Their website is at www.kclcad.com.

